



SPECIFICATION

MODEL SL30

SwingMast VNA

ELECTRIC MULTI-PURPOSE

The Landoll SwingMast electric VNA forklift, with a 90° pivoting and shifting mast maximizes cube utilization while providing front loader versatility. The SwingMast also can handle, store and transport long loads as a side loader for long load handling applications.



FEATURES

- 3,000lb (1364kg) capacity
- Lift heights to 312" (7.92M)
- 60" (1.5M) stacking aisle
- 20" (508mm) mast sideshift
- 3" (76mm) fork side reach

DRIVETRAIN

- Independently driven front wheels
- Dual front wheel hydraulic disk brakes
- Articulating rear steer axle
- Large diameter rubber drive and poly steer tires
- Heavy duty planetary transmissions

ELECTRICAL

- 48 volt electrical system
- Separately excited dual traction motor controllers
- Mosfet hydraulic pump motor controller
- Battery discharge indicator with lift interrupt
- Provisions for RF terminals
- Large battery compartment

ERGONOMICS & SAFETY

- Hydraulic power steering
- Comfortable seated operation with all truck controls within easy reach
- Safety dead man seat switch
- Clear view triple or quad mast
- 4 post, heavy-duty overhead guard

ENGINEERING

- Forward and rearward mast tilt
- Heavy duty chassis design
- Front pivot via 2 taper roller bearings, with 3 year warranty on pivot/shift
- Accepts class II attachments
- Easily accessible components for low cost maintenance
- Freezer option available
- Wire guidance option



Sole Agent

WSL WAREHOUSE SYSTEMS LIMITED

Ft. K, 19/F, Gold King Industrial Building,
35 - 41 Tai Lin Pai Road, Kwai Chung, N.T., HK
T: +852 2328 0018 F: +852 8343 0099
E: cs@WSL.hk W: www.WSL.hk

SwingMast SL30

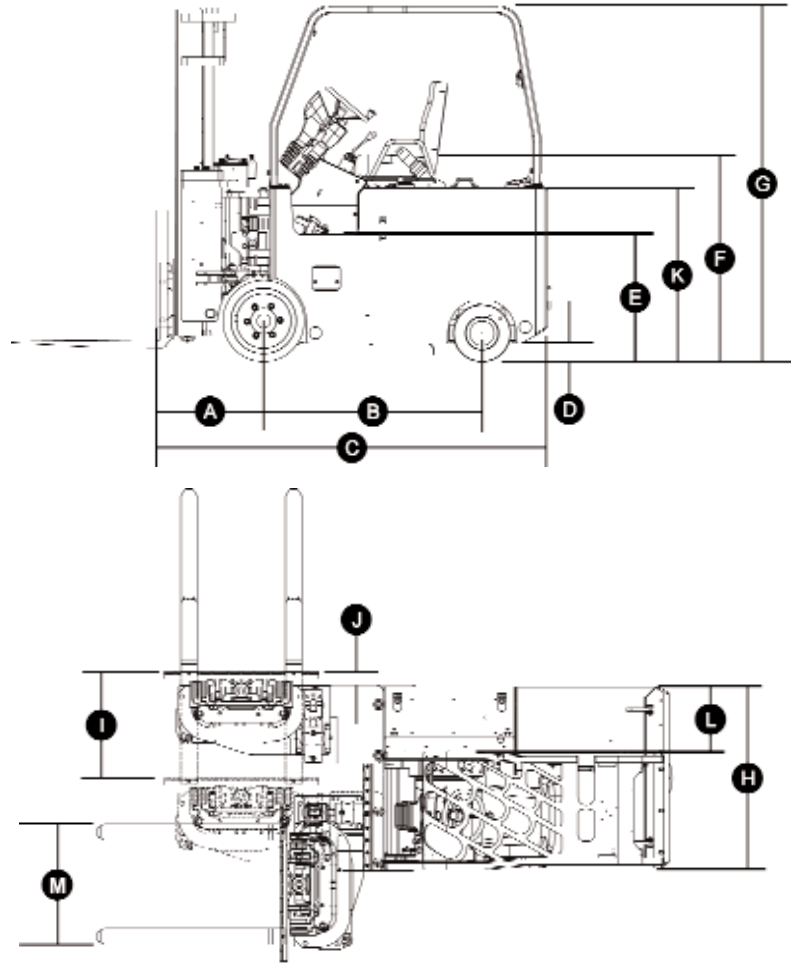
3,000 lbs. (1,364kg)

ELECTRIC MULTI-PURPOSE VNA AND SIDELOADING SWINGMAST FORKLIFT TRUCK

TECHNICAL & DIMENSION DATA



| | | | |
|---------------------------------|------------------|---------|--------------------|
| Model | | | SL30 |
| Capacity | | lbs/kg | 3,000/1,363 |
| Load center | | in/mm | 24/600 |
| Power source | | | Battery, electric |
| Weight with battery | | lbs/kg | 12,600/5,727 |
| Travel speed | Loaded | mph/kph | 6/9.7 |
| | Unloaded | mph/kph | 6.5/10.5 |
| Lift speed | Loaded | fpm/Mm | 50/15 |
| | Unloaded | fpm/Mm | 70/21.5 |
| Lower speed | Loaded | fpm/Mm | 90/27.5 |
| | Unloaded | fpm/Mm | 60/18.5 |
| Mast tilt | Forward/Backward | deg. | 3/4 |
| Lost load center | a w/triple mast | in/mm | 25/635 |
| Wheelbase | b | in/mm | 53.5/1,359 |
| Overall length to face of forks | c w/triple mast | in/mm | 95/2,413 |
| Underclearance | d | in/mm | 4.5/114 |
| Cab floor height | e | in/mm | 31/787 |
| Seat height | f | in/mm | 52/1,321 |
| Overhead guard height | g | in/mm | 87/2,210 |
| Chassis width | h | in/mm | 44.5/1,130 |
| Mast shift | l | in/mm | 20/508 |
| Side reach | j | in/mm | 3/76 |
| Side deck height | k | in/mm | 42.5/1,080 |
| Side deck width | l | in/mm | 15.5/394 |
| Fork carriage width | m | in/mm | 37/940 |
| Fork length | | in/mm | 40/1016 |
| Gradeability | Loaded | % | 15 |
| Lift motor rating | | kW | 9 |
| Steer motor rating | | kW | 1.5 |
| Drive motor rating | 2 each | kW | 5.5 x 2 |
| Wheel sizes | Front (2 each) | in/mm | 20x9/508x229 |
| | Rear (2 each) | in/mm | 14x5/356x127 |
| Battery recommended | electric 48 volt | kWh | 35-39 |
| Minimum battery weight | | lbs/kg | 3,250/1,477 |
| Control type | Traction, dual | | Separately Excited |
| | Hydraulic | | Mosfet |



AISLE DIMENSIONS

| LOAD DEPTH X WIDTH | MINIMUM CLEAR AISLE |
|-----------------------------|---------------------|
| 40" x 48" (1,000 x 1,200mm) | 56" (1,422mm) |
| 48" x 40" (1,200 x 1,000mm) | 60" (1,524mm) |
| MIN. CLEAR TRANSFER AISLE | 144" (3,658mm) |

RECOMMENDED BATTERY

| |
|--|
| Battery Designation: 24-100-21, 48 volt, 1000 AHC (6 hour rate) |
| Battery weight min. 3,250 lbs (1477 kg) - Max. 3,900 lbs (1773 kg) |
| Leads are at position A, 36" long, with SB 350 amp blue connector |
| Nominal size: 33" x 38 9/16" x 25 5/8" (84 x 98 x 65 cm) |
| Standard compartment size: 33 1/2" x 38 5/8" x 25 3/4" (85 x 98 x 65 cm) |

MAST DIMENSIONS 3-STAGE FULL FREE LIFT

| LIFT HEIGHT | | CLOSED HEIGHT | | FREE LFT | | EXTENDED HEIGHT | |
|-------------|--------|---------------|--------|----------|--------|-----------------|--------|
| Inches | Meters | Inches | Meters | Inches | Meters | Inches | Meters |
| 188 | 4.78 | 85 | 2.16 | 61 | 1.55 | 224 | 5.69 |
| 198 | 5.03 | 89 | 2.26 | 65 | 1.65 | 234 | 5.94 |
| 216 | 5.49 | 97 | 2.46 | 73 | 1.85 | 252 | 6.40 |
| 224 | 5.69 | 100 | 2.54 | 76 | 1.93 | 260 | 6.60 |
| 240 | 6.10 | 108 | 2.74 | 84 | 2.13 | 276 | 7.01 |
| 258 | 6.55 | 117 | 2.97 | 93 | 2.36 | 294 | 7.47 |
| 276 | 7.01 | 124 | 3.15 | 100 | 2.54 | 312 | 7.92 |

MAST DIMENSIONS 4-STAGE FULL FREE LIFT

| | | | | | | | |
|-----|------|-----|------|----|------|-----|------|
| 250 | 6.35 | 89 | 2.26 | 65 | 1.65 | 286 | 7.26 |
| 276 | 7.01 | 97 | 2.46 | 73 | 1.85 | 312 | 7.92 |
| 294 | 7.47 | 103 | 2.62 | 79 | 2.01 | 330 | 8.38 |
| 312 | 7.92 | 109 | 2.77 | 85 | 2.16 | 348 | 8.84 |

